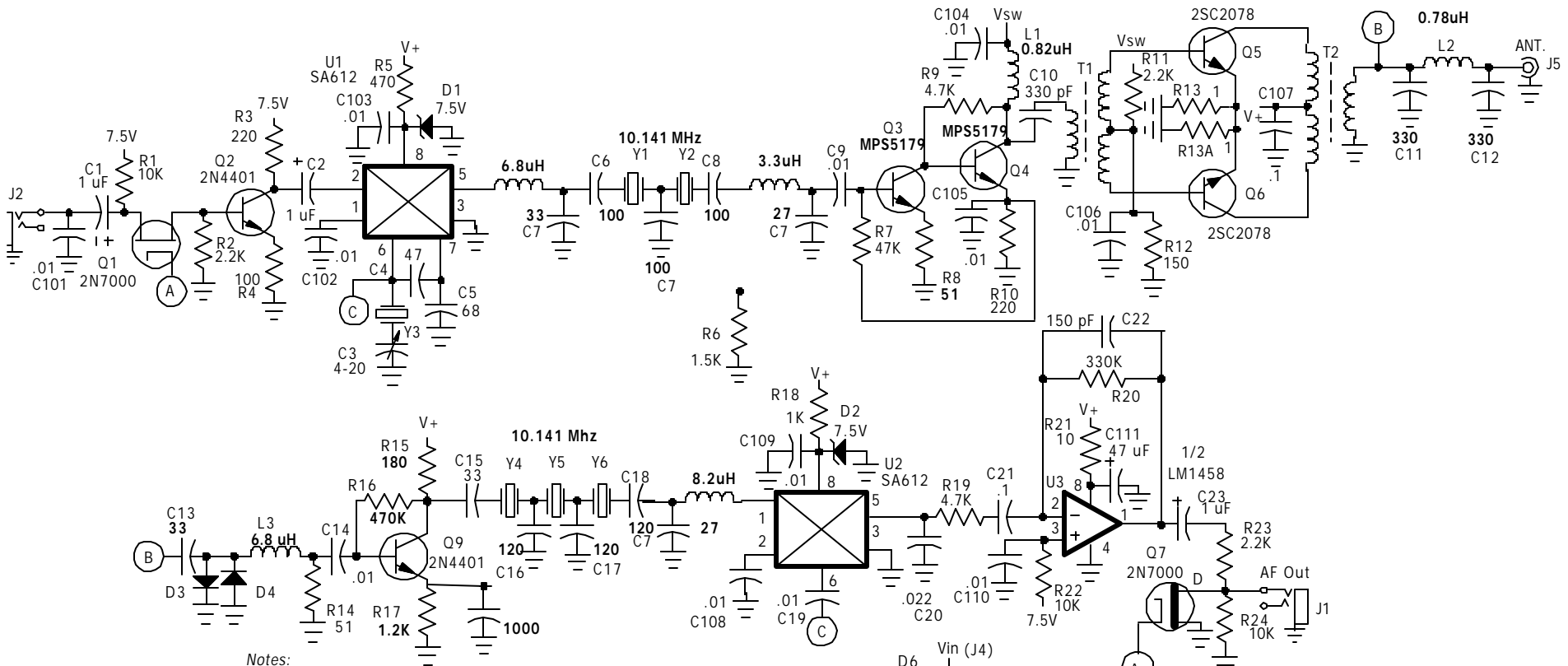
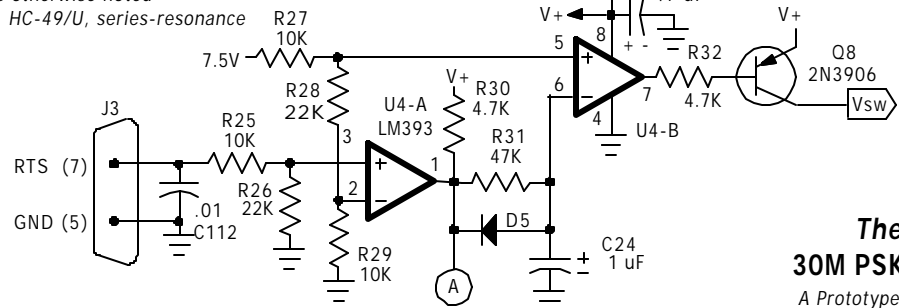


NOTE: T1 is 6 turns, trifilar



Notes:

- 1) All diodes 1N4148 unless otherwise noted
- 2) All crystals 10.141 MHz, HC-49/U, series-resonance



The 'WARC-bler' 30M PSK31 Transceiver

A Prototype based on the design of
D. Benson, NN1G 11/2/2000