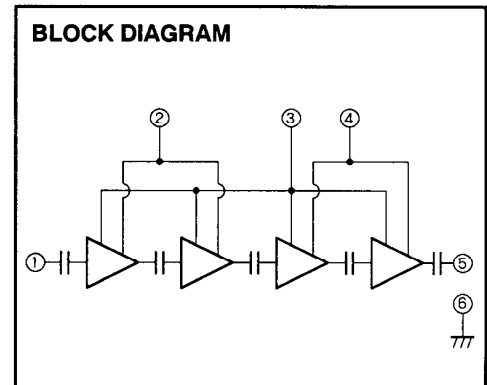
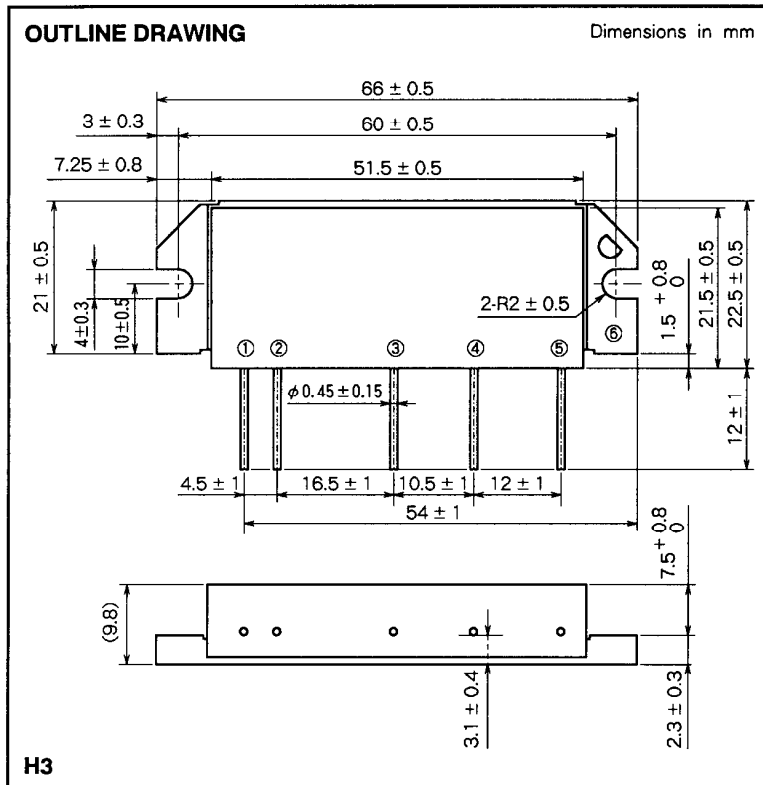


# M68719

1240-1300MHz, 12.5V, 16W, FM MOBILE RADIO



- PIN :
- ① Pin : RF INPUT
  - ② Vcc1 : 1st. DC SUPPLY
  - ③ VBB : BASE BIAS SUPPLY
  - ④ Vcc2 : 2nd. DC SUPPLY
  - ⑤ Po : RF OUTPUT
  - ⑥ GND : FIN

**ABSOLUTE MAXIMUM RATINGS** (T<sub>c</sub> = 25 °C unless otherwise noted)

Symbol	Parameter	Conditions	Ratings	Unit
V <sub>cc1, 2</sub>	Supply voltage		17	V
V <sub>BB</sub>	Base bias		8.5	V
I <sub>cc</sub>	Total current		8	A
P <sub>in(max)</sub>	Input power	V <sub>cc1</sub> = 12.5V, V <sub>BB</sub> = 8V, Z <sub>G</sub> = Z <sub>L</sub> = 50 Ω	0.16	W
P <sub>o(max)</sub>	Output power	Z <sub>G</sub> = Z <sub>L</sub> = 50 Ω	20	W
T <sub>C(OP)</sub>	Operation case temperature		- 30 to 110	°C
T <sub>stg</sub>	Storage temperature		- 40 to 110	°C

Note. Above parameters are guaranteed independently.

**ELECTRICAL CHARACTERISTICS** (T<sub>c</sub> = 25 °C unless otherwise noted)

Symbol	Parameter	Test conditions	Limits		Unit
			Min	Max	
f	Frequency range	V <sub>cc1</sub> = V <sub>cc2</sub> = 12.5V V <sub>BB</sub> = 8V P <sub>in</sub> = 0.1W Z <sub>G</sub> = Z <sub>L</sub> = 50 Ω	1.24	1.3	GHz
P <sub>o</sub>	Output power		16		W
η <sub>T</sub>	Total efficiency		28		%
2f <sub>o</sub>	2nd. harmonic		- 45		dBc
ρ <sub>in</sub>	Input VSWR		2.5		-
-	Load VSWR tolerance	V <sub>BB</sub> = 8V, V <sub>cc2</sub> = 15.2V, P <sub>in</sub> = 0.1W P <sub>o</sub> = 16W (V <sub>cc1</sub> : controlled), Load VSWR=16:1(All phase) Z <sub>G</sub> = 50Ω	No degradation or destroy		-

Note. Above parameters, ratings, limits and conditions are subject to change.

This datasheet has been download from:

[www.datasheetcatalog.com](http://www.datasheetcatalog.com)

Datasheets for electronics components.