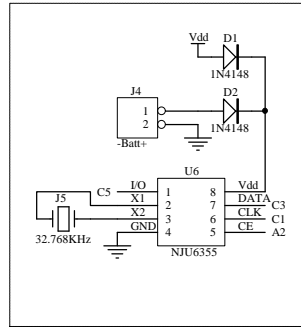
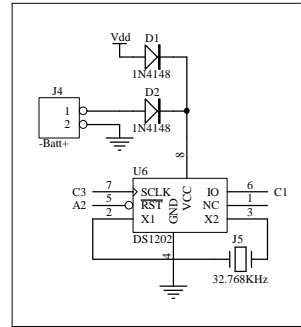


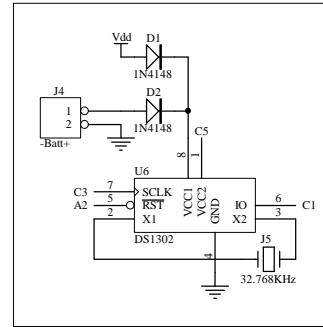
A	B	C	Multiplier	Clock
23	xx	xx	x1	4MHz
12	23	23	x2	8MHz
12	12	12	x2.5	10MHz
12	23	open	x3	12MHz
12	12	open	x3.33	13.32MHz
12	23	12	x4	16MHz
12	12	23	x5	20MHz



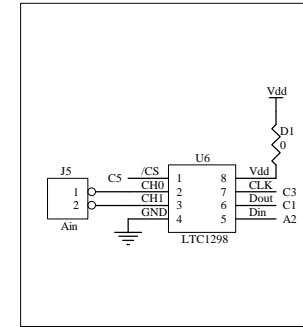
Real Time Clock - Option 1



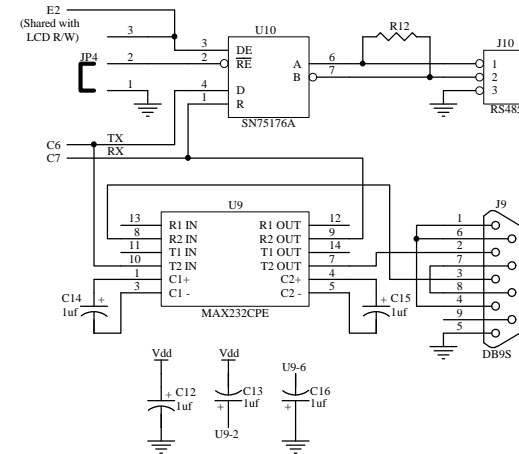
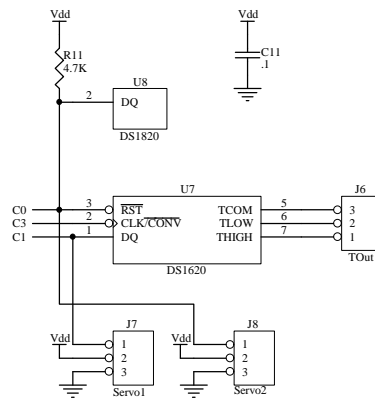
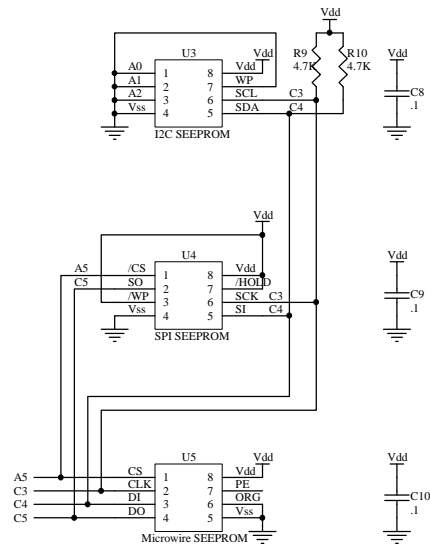
Real Time Clock - Option 2



Real Time Clock - Option 3



A/D Converter - Option 4



Title		LAB-X1 Schematic		Copyright 2001 microEngineering Labs, Inc.	
Size	Number	01018		Revision	
B				A	
Date:	5-Feb-2001	Sheet 2 of 2		Drawn By: JMS	
File:	C:\pfiles\LABX12.sch				