

KA9270

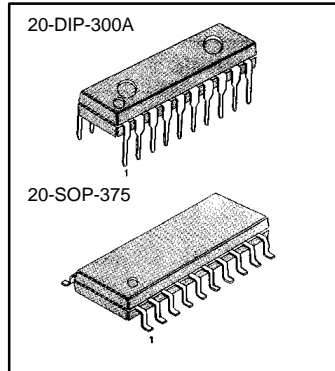
AUDIO FILTER

INTRODUCTION

The KA9270 is a monolithic integrated circuit designed for audio filter. It is used in compact disc player, digital audio tape recorder, etc.

FEATURES

- Functions:
 - * Buffer for impedance matching
 - * Low pass filter
 - * De - emphasis control
 - * Mute control
 - * Reference voltage circuit ($1/2 V_{CC}$ AMP)
- Gain adjustable of audio output
- Minimum number of external parts required
- Recommend operation supply voltage range : 5.0 ~ 12.0V



Device	Package	Operating Temperature
KA9270	20-DIP-300A	20°C ~ +75°C
KA9270D	20-SOP- 375	

BLOCK DIAGRAM

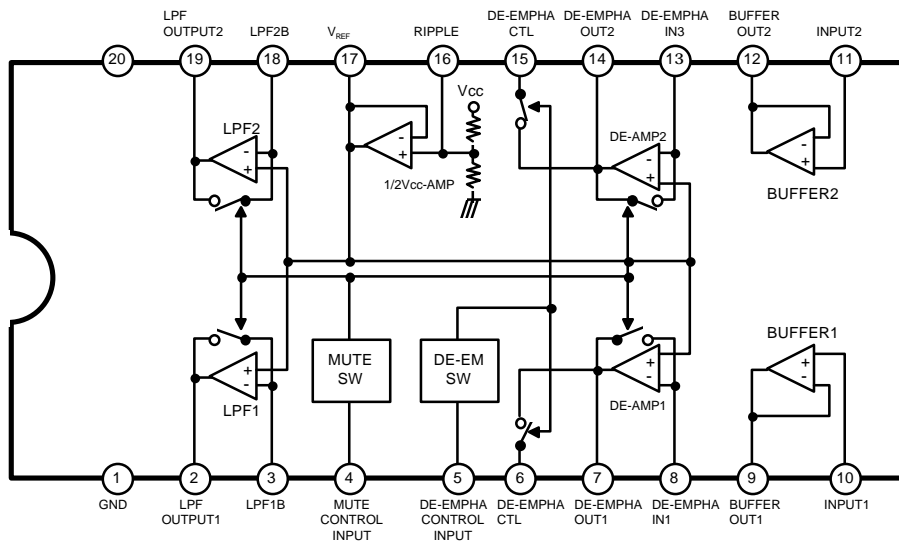


Fig. 1

ABSOLUTE MAXIMUM RATINGS (Ta = 25°C)

Characteristic	Symbol	Value	Unit
Supply Voltage	V _{CC}	16	V
Power Dissipation	P _D	550	μW
Operating Temperature	T _{OPR}	-20 ~ + 75	°C
Storage Temperature	T _{STG}	-45 ~ + 150	°C

ELECTRICAL CHARACTERISTICS(Ta = 25°C, V_{CC} = 8V, f = 1KHz, R_L = 10KΩ, De-emphasis; off, Mute; off, S1 & S2; off, unless otherwise specified)

Characteristic	Symbol	Test Conditions	Min	Typ	Max	Unit	
Quiescent Circuit Current	I _{CC}	V _I = 0	1	4	6	mA	
Maximum Output Voltage	V _{OM}	THD = 1%	1.8	2.1		Vrms	
Total Harmonic Distortion	THD	V _O = 0dBm	f = 100Hz		0.01	0.05	%
			f = 1KHz		0.01	0.05	
			f = 10KHz		0.05	0.1	
			f = 16KHz		0.1	0.2	
			f = 20KHz		0.1	0.2	
Frequency Characteristics	fv	V _O = 6dBm	f = 100Hz	-0.1	0	0.1	dB
			f = 1KHz	0	0	0	
			f = 10KHz	-0.5	0	0.5	
			f = 16KHz	-1.0	0	1.0	
			f = 20KHz	-1.5	0	1.5	
Cross Talk	CT	V _O = 0dBm	f = 100Hz	70	80	dB	
			f = 1KHz	65	75		
			f = 10KHz	60	65		
Signal to Noise Ratio	S/N	V _O = 0dBm, R _G = 600Ω 20KHz LPF	73	80		dB	
Channel Balance	CB	V _O = 0dBm	-1.0	0	1.0	dB	
Open Loop Gain	G _{VO}	V _I = 900mVrms	-2.6	-0.6	1.0	dB	
Gain Adjusting Range	G _{VR}	V _I = 900mV, S1, S2; ON	4.5	6		dB	
Mute Attenuation Ratio	ATT _{MUTE}	V _I = 900mV, Mute SW; ON	40	50		dB	
De-emphasis	DE _{EMPH}	De-emphasis: ON	f = 1KHz	-0.87	-0.37	0.13	dB
			f = 5KHz	-6.03	-4.53	-3.03	
			f = 16KHz	-10.53	-9.03	-7.53	

* Note: De-emphasis input conditions: V_O = 0dBm
De-emphasis off position

TEST CIRCUIT

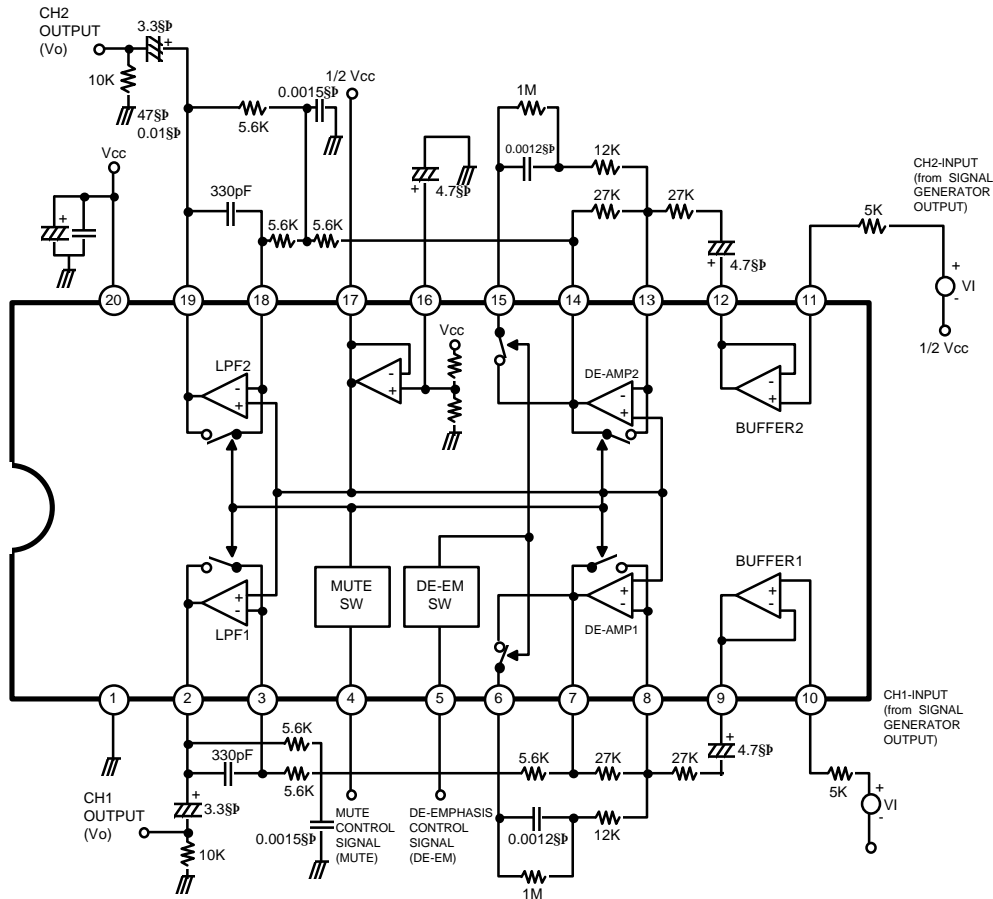


Fig. 2

APPLICATION INFORMATION

1. BUFFER

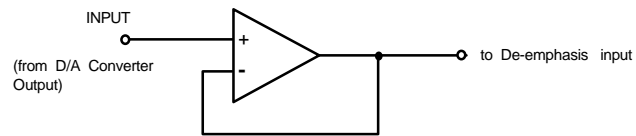


Fig. 3

It is used for impedance matching, between D/A converter output and de-emphasis input.

2. DE-EMPHASIS

a) De-emphasis operation condition

Control Input	De-emphasis Operation
High	ON
Low	OFF

b) De-emphasis characteristic at the de-emphasis ON

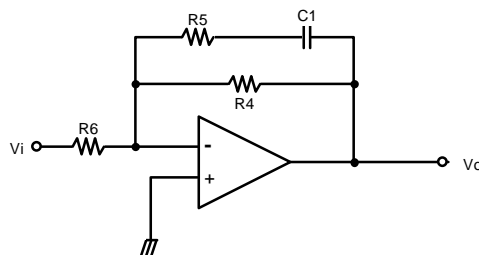


Fig. 4 Equevalent Circuit of De-emphasis ON Mode

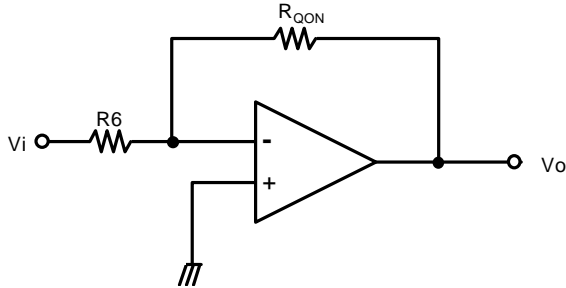
$$A_v \approx R_4 / R_6$$

$$T_1 = C_1 (R_4 + R_5)$$

$$T_2 = C_1 \times R_5$$

The de-emphasis characteristics is dependent on the external parts value.

3. MUTE



* Where:
 R_{QON} = internal TR
 ON resistance

Fig. 5 Equivalent Circuit of Mute Switch ON Mode

Mute attenuation [M (att)] ratio is as follow;

$$M \text{ (att)} = 20 \log \frac{V_o}{V_i}$$

$$= 20 \log \frac{R_{QON}}{R_6} \text{ (dB)}$$

4. LOW PASS FILTER

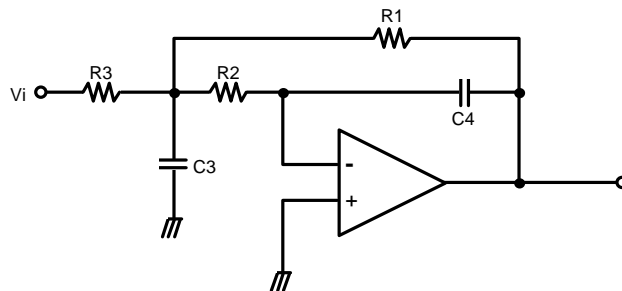


Fig. 6 Equivalent Circuit of LPF

Cut off frequency (F_c) is as follow:

$$f_c = \frac{1}{2\pi\sqrt{R_2 R_1 C_3 C_4}} \text{ (Hz)}$$

APPLICATION CIRCUIT

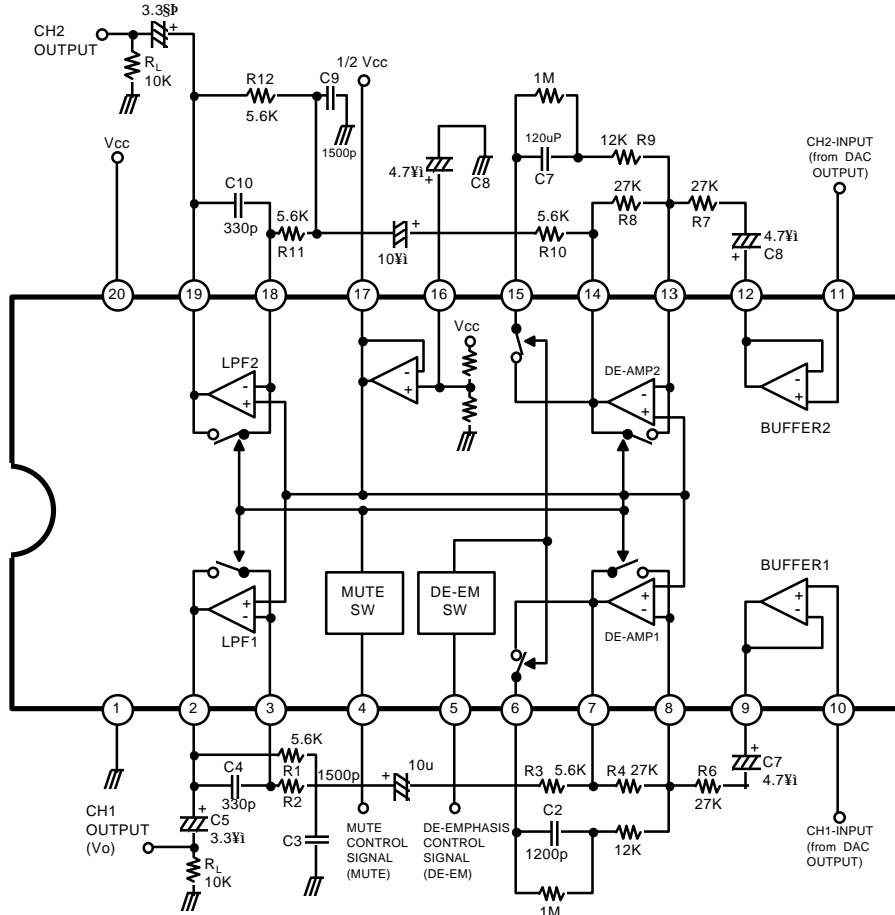
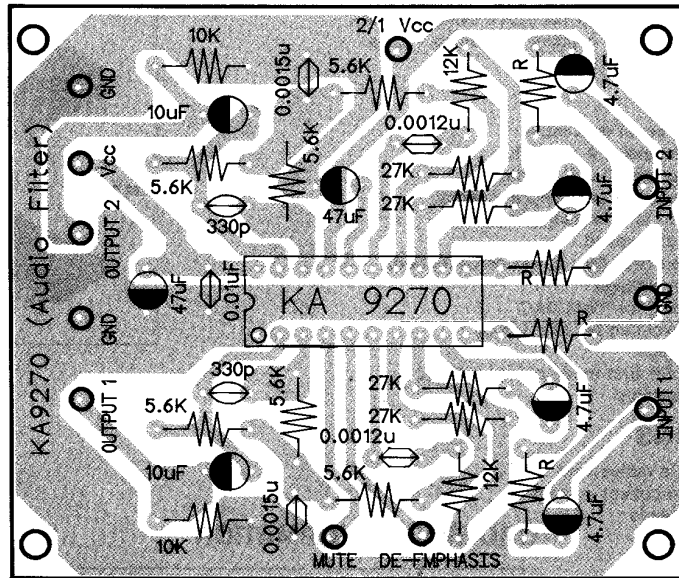


Fig. 7



(PCB PATTERN)