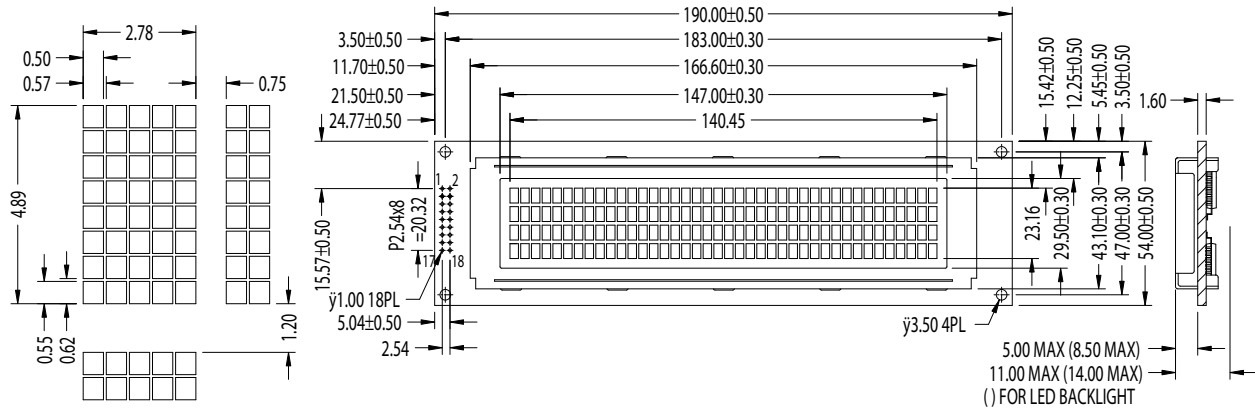


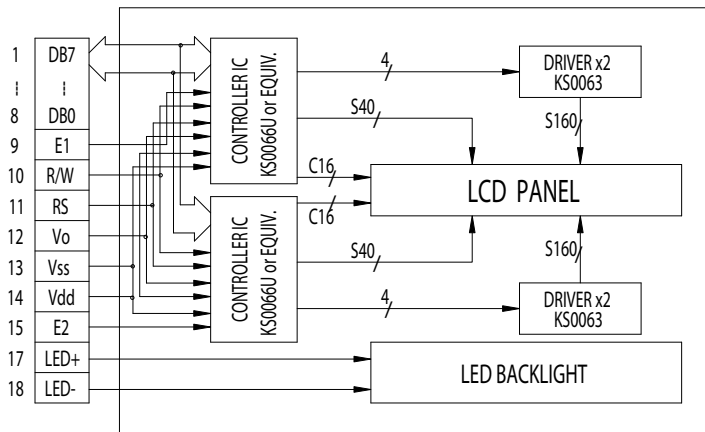
404B Series

40 CHARACTERS x 4 Line, 1/16 DUTY, 1/5 BIAS

EXTERNAL DIMENSION



BLOCK DIAGRAM



INTERFACE PIN CONNECTIONS

PIN NO.	SYMBOL	LEVEL	FUNCTION
1	DB7		Data bit 7
⋮	⋮	H/L	⋮
8	DB0		Data bit 0
9	E1	H,H=L	Enable signal for first KS0066U
10	R/W	H/L	H : Read mode, L : Write mode
11	RS	H/L	H : Data signal, L : Instruction signal
12	Vo	---	Input voltage for LCD
13	Vss	0V	Ground
14	Vdd	5.0V	Supply voltage for logic
15	E2	H,H=L	Enable signal for second KS0066U
16	NC	---	No connection
17	LED+	4.2V	Backlight anode
18	LED-	0V	Backlight cathode

MECHANICAL SPECIFICATIONS

ITEM	NOMINAL DIMENSIONS	UNIT
Module Size (W x H x T)	190 x 54 x 11.0 (14.0 W/LED BACKLIGHT)	mm
Viewing Area (W x H)	147.0 x 29.5	mm
Character Pitch (W x H)	3.53 x 6.09	mm
Character Size (W x H)	2.78 x 4.89	mm
Character Font	5 x 8 DOTS	---
Dot Pitch (W x H)	0.57 x 0.62	mm
Dot Size (W x H)	0.50 x 0.55	mm

ABSOLUTE MAXIMUM RATINGS FOR LED BACKLIGHT

ITEM	SYMBOL	TEST CONDITION	MIN.	TYP.	MAX.	UNIT
LED Forward Consumption Current	If	Ta=25°C Vf=4.2V	---	580	750	mA
LED Allowable Dissipation	Pd		---	2330	3024	mW

Displaytech Ltd

email : sales@displaytech.com.hk

Fax : +852 2722 6998