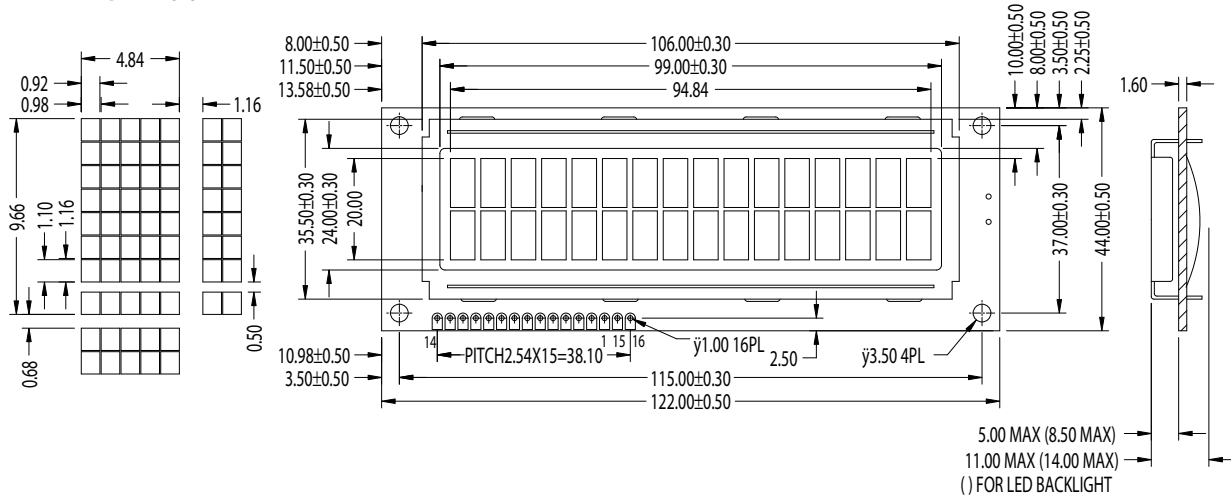


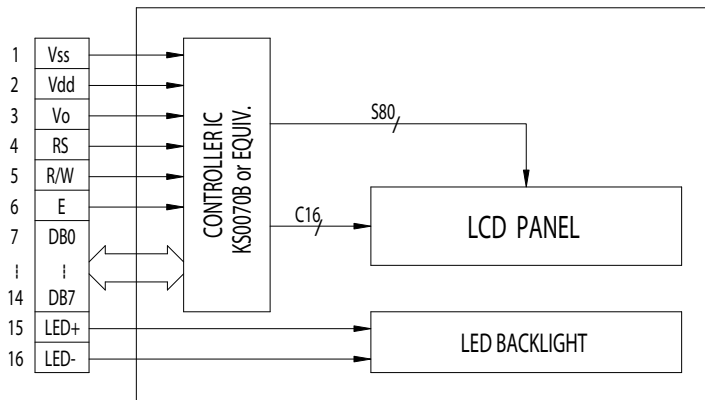
# 162F Series

16 CHARACTERS x 2 Line, 1/16 DUTY, 1/5 BIAS

## EXTERNAL DIMENSION



## BLOCK DIAGRAM



## INTERFACE PIN CONNECTIONS

PIN NO.	SYMBOL	LEVEL	FUNCTION
1	Vss	0V	Ground
2	Vdd	5.0V	Supply voltage for logic
3	Vo	---	Input voltage for LCD
4	RS	H/L	H : Data signal, L : Instruction signal
5	R/W	H/L	H : Read mode, L : Write mode
6	E	H,H=L	Chip enable signal
7	DB0	H/L	Data bit 0
8	DB1		Data bit 1
9	DB2		Data bit 2
10	DB3		Data bit 3
11	DB4		Data bit 4
12	DB5		Data bit 5
13	DB6		Data bit 6
14	DB7		Data bit 7
15	LED+	4.2V	Backlight anode
16	LED-	0V	Backlight cathode

## MECHANICAL SPECIFICATIONS

ITEM	NOMINAL DIMENSIONS	UNIT
Module Size (W x H x T)	122 x 44 x 11.0 (14.0 W/LED BACKLIGHT)	mm
Viewing Area (W x H)	99.0 x 24.0	mm
Character Pitch (W x H)	6.00 x 10.34	mm
Character Size (W x H)	4.84 x 9.66	mm
Character Font	5 x 8 DOTS	---
Dot Pitch (W x H)	0.98 x 1.16	mm
Dot Size (W x H)	0.92 x 1.10	mm

## ABSOLUTE MAXIMUM RATINGS FOR LED BACKLIGHT

ITEM	SYMBOL	TEST CONDITION	MIN.	TYP.	MAX.	UNIT
LED Forward Consumption Current	If	Ta=25°C Vf=4.2V	---	110	180	mA
LED Allowable Dissipation	Pd		---	462	756	mW

Displaytech Ltd

email : sales@displaytech.com.hk

Fax : +852 2722 6998