

December 1992

## CMOS Presettable Up/Down Counter

### Features

- High-Voltage Type (20V Rating)
- Medium Speed Operation: 8MHz (Typ.) at CL = 50pF and VDD - VSS = 10V
- Multi-Package Parallel Clocking for Synchronous High Speed Output Response or Ripple Clocking for Slow Clock Input Rise and Fall Times
- "Preset Enable" and Individual "Jam" Inputs Provided
- Binary or Decade Up/Down Counting
- BCD Outputs in Decade Mode
- 100% Tested for Maximum Quiescent Current at 20V
- 5V, 10V and 15V Parametric Ratings
- Standardized Symmetrical Output Characteristics
- Maximum Input Current of 1 $\mu$ A at 18V Over Full Package-Temperature Range; 100nA at 18V and +25 $^{\circ}$ C
- Noise Margin (Over Full Package Temperature Range):
  - 1V at VDD = 5V
  - 2V at VDD = 10V
  - 2.5V at VDD = 15V
- Meets All Requirements of JEDEC Tentative Standards No. 13B, "Standard Specifications for Description of "B" Series CMOS Device's

### Applications

- Programmable Binary and Decade Counting/Frequency Synthesizers-BCD Output
- Analog to Digital and Digital to Analog Conversion
- Up/Down Binary Counting
- Difference Counting
- Magnitude and Sign Generation
- Up/Down Decade Counting

### Description

CD4029BMS consists of a four-stage binary or BCD-decade up/down counter with provisions for look-ahead carry in both counting modes. The inputs consist of a single CLOCK,  $\overline{\text{CARRY-IN}}$  ( $\overline{\text{CLOCK ENABLE}}$ ), BINARY/DECADE, UP/DOWN, PRESET ENABLE, and four individual JAM signals. Q1, Q2, Q3, Q4 and a CARRY OUT signal are provided as outputs.

A high PRESET ENABLE signal allows information on the JAM INPUTS to preset the counter to any state asynchronously with the clock. A low on each JAM line, when the PRESET-ENABLE signal is high, resets the counter to its zero count. The counter is advanced one count at the positive transition of the clock when the  $\overline{\text{CARRY-IN}}$  and PRE-SET ENABLE signals are low. Advancement is inhibited when the  $\overline{\text{CARRY-IN}}$  or PRESET ENABLE signals are high. The  $\overline{\text{CARRY-OUT}}$  signal is normally high and goes low when the counter reaches its maximum count in the UP mode or the minimum count in the DOWN mode provided the  $\overline{\text{CARRY-IN}}$  signal is low. The  $\overline{\text{CARRY-IN}}$  signal in the low state can thus be considered a  $\overline{\text{CLOCK ENABLE}}$ . The  $\overline{\text{CARRY-IN}}$  terminal must be connected to VSS when not in use.

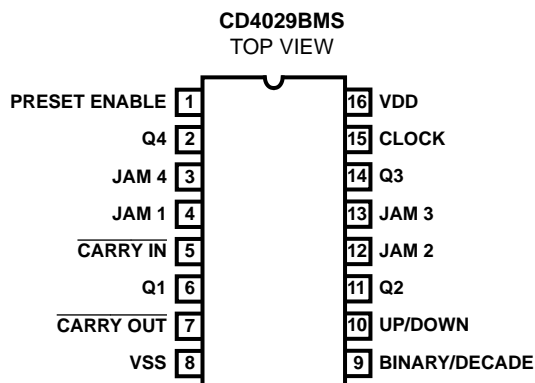
Binary counting is accomplished when the BINARY/DECADE input is high; the counter counts in the decade mode when the BINARY/DECADE input is low. The counter counts up when the UP/DOWN input is high, and down when the UP/DOWN input is low. Multiple packages can be connected in either a parallel-clocking or a ripple-clocking arrangement as shown in Figure 17.

Parallel clocking provides synchronous control and hence faster response from all counting outputs. Ripple-clocking allows for longer clock input rise and fall times.

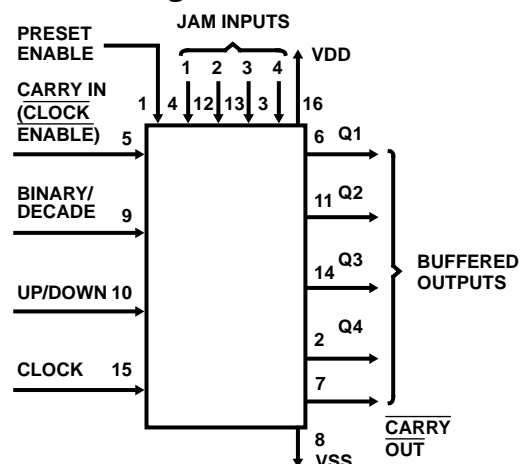
The CD4029BMS is supplied in these 16-lead outline packages:

Braze Seal DIP H4X  
Frit Seal DIP H1F  
Ceramic Flatpack H6W

### Pinout



### Functional Diagram



# Specifications CD4029BMS

## Absolute Maximum Ratings

DC Supply Voltage Range, (VDD) ..... -0.5V to +20V  
 (Voltage Referenced to VSS Terminals)  
 Input Voltage Range, All Inputs ..... -0.5V to VDD +0.5V  
 DC Input Current, Any One Input ..... ±10mA  
 Operating Temperature Range ..... -55°C to +125°C  
 Package Types D, F, K, H  
 Storage Temperature Range (TSTG) ..... -65°C to +150°C  
 Lead Temperature (During Soldering) ..... +265°C  
 At Distance 1/16 ± 1/32 Inch (1.59mm ± 0.79mm) from case for  
 10s Maximum

## Reliability Information

Thermal Resistance .....  $\theta_{ja}$   $\theta_{jc}$   
 Ceramic DIP and FRIT Package ..... 80°C/W 20°C/W  
 Flatpack Package ..... 70°C/W 20°C/W  
 Maximum Package Power Dissipation (PD) at +125°C  
 For TA = -55°C to +100°C (Package Type D, F, K) ..... 500mW  
 For TA = +100°C to +125°C (Package Type D, F, K) ..... Derate  
 Linearity at 12mW/°C to 200mW  
 Device Dissipation per Output Transistor ..... 100mW  
 For TA = Full Package Temperature Range (All Package Types)  
 Junction Temperature ..... +175°C

**TABLE 1. DC ELECTRICAL PERFORMANCE CHARACTERISTICS**

PARAMETER	SYMBOL	CONDITIONS (NOTE 1)		GROUP A SUBGROUPS	TEMPERATURE	LIMITS		UNITS
						MIN	MAX	
Supply Current	IDD	VDD = 20V, VIN = VDD or GND		1	+25°C	-	10	μA
				2	+125°C	-	1000	μA
		VDD = 18V, VIN = VDD or GND		3	-55°C	-	10	μA
Input Leakage Current	IIL	VIN = VDD or GND	VDD = 20	1	+25°C	-100	-	nA
				2	+125°C	-1000	-	nA
			VDD = 18V	3	-55°C	-100	-	nA
Input Leakage Current	IIH	VIN = VDD or GND	VDD = 20	1	+25°C	-	100	nA
				2	+125°C	-	1000	nA
			VDD = 18V	3	-55°C	-	100	nA
Output Voltage	VOL15	VDD = 15V, No Load		1, 2, 3	+25°C, +125°C, -55°C	-	50	mV
Output Voltage	VOH15	VDD = 15V, No Load (Note 3)		1, 2, 3	+25°C, +125°C, -55°C	14.95	-	V
Output Current (Sink)	IOL5	VDD = 5V, VOUT = 0.4V		1	+25°C	0.53	-	mA
Output Current (Sink)	IOL10	VDD = 10V, VOUT = 0.5V		1	+25°C	1.4	-	mA
Output Current (Sink)	IOL15	VDD = 15V, VOUT = 1.5V		1	+25°C	3.5	-	mA
Output Current (Source)	IOH5A	VDD = 5V, VOUT = 4.6V		1	+25°C	-	-0.53	mA
Output Current (Source)	IOH5B	VDD = 5V, VOUT = 2.5V		1	+25°C	-	-1.8	mA
Output Current (Source)	IOH10	VDD = 10V, VOUT = 9.5V		1	+25°C	-	-1.4	mA
Output Current (Source)	IOH15	VDD = 15V, VOUT = 13.5V		1	+25°C	-	-3.5	mA
N Threshold Voltage	VNTH	VDD = 10V, ISS = -10μA		1	+25°C	-2.8	-0.7	V
P Threshold Voltage	VPTH	VSS = 0V, IDD = 10μA		1	+25°C	0.7	2.8	V
Functional	F	VDD = 2.8V, VIN = VDD or GND		7	+25°C	VOH > VDD/2	VOL < VDD/2	V
		VDD = 20V, VIN = VDD or GND		7	+25°C			
		VDD = 18V, VIN = VDD or GND		8A	+125°C			
		VDD = 3V, VIN = VDD or GND		8B	-55°C			
Input Voltage Low (Note 2)	VIL	VDD = 5V, VOH > 4.5V, VOL < 0.5V		1, 2, 3	+25°C, +125°C, -55°C	-	1.5	V
Input Voltage High (Note 2)	VIH	VDD = 5V, VOH > 4.5V, VOL < 0.5V		1, 2, 3	+25°C, +125°C, -55°C	3.5	-	V
Input Voltage Low (Note 2)	VIL	VDD = 15V, VOH > 13.5V, VOL < 1.5V		1, 2, 3	+25°C, +125°C, -55°C	-	4	V
Input Voltage High (Note 2)	VIH	VDD = 15V, VOH > 13.5V, VOL < 1.5V		1, 2, 3	+25°C, +125°C, -55°C	11	-	V

NOTES: 1. All voltages referenced to device GND, 100% testing being implemented.  
 2. Go/No Go test with limits applied to inputs.  
 3. For accuracy, voltage is measured differentially to VDD. Limit is 0.050V max.

## Specifications CD4029BMS

**TABLE 2. AC ELECTRICAL PERFORMANCE CHARACTERISTICS**

PARAMETER	SYMBOL	CONDITIONS (NOTE 1, 2)	GROUP A SUBGROUPS	TEMPERATURE	LIMITS		UNITS
					MIN	MAX	
Propagation Delay Clock To Q Output	TPHL1 TPLH1	VDD = 5V, VIN = VDD or GND	9	+25°C	-	500	ns
			10, 11	+125°C, -55°C	-	675	ns
Propagation Delay Clock To Carry Out	TPHL2 TPLH2	VDD = 5V, VIN = VDD or GND	9	+25°C	-	560	ns
			10, 11	+125°C, -55°C	-	756	ns
Propagation Delay Preset Enable To Q	TPHL3 TPLH3	VDD = 5V, VIN = VDD or GND	9	+25°C	-	470	ns
			10, 11	+125°C, -55°C	-	635	ns
Propagation Delay Preset Enable To Carry- Out	TPHL4 TPLH4	VDD = 5V, VIN = VDD or GND	9	+25°C	-	640	ns
			10, 11	+125°C, -55°C	-	864	ns
Propagation Delay Carry-In To Carry-Out	TPHL5 TPLH5	VDD = 5V, VIN = VDD or GND	9	+25°C	-	340	ns
			10, 11	+125°C, -55°C	-	459	ns
Transition Time Q Output	TTHL TTLH	VDD = 5V, VIN = VDD or GND	9	+25°C	-	200	ns
			10, 11	+125°C, -55°C	-	270	ns
Maximum Clock Input Frequency	FCL	VDD = 5V, VIN = VDD or GND	9	+25°C	2	-	MHz
			10, 11	+125°C, -55°C	1.48	-	MHz

NOTES:

1. VDD = 5V, CL = 50pF, RL = 200K
2. -55°C and +125°C limits guaranteed, 100% testing being implemented.

**TABLE 3. ELECTRICAL PERFORMANCE CHARACTERISTICS**

PARAMETER	SYMBOL	CONDITIONS	NOTES	TEMPERATURE	LIMITS		UNITS
					MIN	MAX	
Supply Current	IDD	VDD = 5V, VIN = VDD or GND	1, 2	-55°C, +25°C	-	5	μA
				+125°C	-	150	μA
		VDD = 10V, VIN = VDD or GND	1, 2	-55°C, +25°C	-	10	μA
				+125°C	-	300	μA
		VDD = 15V, VIN = VDD or GND	1, 2	-55°C, +25°C	-	10	μA
+125°C	-			600	μA		
Output Voltage	VOL	VDD = 5V, No Load	1, 2	+25°C, +125°C, -55°C	-	50	mV
Output Voltage	VOL	VDD = 10V, No Load	1, 2	+25°C, +125°C, -55°C	-	50	mV
Output Voltage	VOH	VDD = 5V, No Load	1, 2	+25°C, +125°C, -55°C	4.95	-	V
Output Voltage	VOH	VDD = 10V, No Load	1, 2	+25°C, +125°C, -55°C	9.95	-	V
Output Current (Sink)	IOL5	VDD = 5V, VOUT = 0.4V	1, 2	+125°C	0.36	-	mA
				-55°C	0.64	-	mA
Output Current (Sink)	IOL10	VDD = 10V, VOUT = 0.5V	1, 2	+125°C	0.9	-	mA
				-55°C	1.6	-	mA
Output Current (Sink)	IOL15	VDD = 15V, VOUT = 1.5V	1, 2	+125°C	2.4	-	mA
				-55°C	4.2	-	mA
Output Current (Source)	IOH5A	VDD = 5V, VOUT = 4.6V	1, 2	+125°C	-	-0.36	mA
				-55°C	-	-0.64	mA

## Specifications CD4029BMS

**TABLE 3. ELECTRICAL PERFORMANCE CHARACTERISTICS (Continued)**

PARAMETER	SYMBOL	CONDITIONS	NOTES	TEMPERATURE	LIMITS		UNITS
					MIN	MAX	
Output Current (Source)	IOH5B	VDD = 5V, VOUT = 2.5V	1, 2	+125°C	-	-1.15	mA
				-55°C	-	-2.0	mA
Output Current (Source)	IOH10	VDD = 10V, VOUT = 9.5V	1, 2	+125°C	-	-0.9	mA
				-55°C	-	-2.6	mA
Output Current (Source)	IOH15	VDD = 15V, VOUT = 13.5V	1, 2	+125°C	-	-2.4	mA
				-55°C	-	-4.2	mA
Input Voltage Low	VIL	VDD = 10V, VOH > 9V, VOL < 1V	1, 2	+25°C, +125°C, -55°C	-	3	V
Input Voltage High	VIH	VDD = 10V, VOH > 9V, VOL < 1V	1, 2	+25°C, +125°C, -55°C	7	-	V
Propagation Delay Q Output	TPHL1 TPLH1	VDD = 10V	1, 2, 3	+25°C	-	240	ns
		VDD = 15V	1, 2, 3	+25°C	-	180	ns
Propagation Delay Carry Output	TPHL2 TPLH2	VDD = 10V	1, 2, 3	+25°C	-	260	ns
		VDD = 15V	1, 2, 3	+25°C	-	190	ns
Propagation Delay Preset Enable To Q	TPHL3 TPLH3	VDD = 10V	1, 2, 3	+25°C	-	200	ns
		VDD = 15V	1, 2, 3	+25°C	-	160	ns
Propagation Delay Preset Enable To Carry-Out	TPHL4 TPLH4	VDD = 10V	1, 2, 3	+25°C	-	290	ns
		VDD = 15V	1, 2, 3	+25°C	-	210	ns
Propagation Delay Carry In To Carry Out	TPHL5 TPLH5	VDD = 10V	1, 2, 3	+25°C	-	140	ns
		VDD = 15V	1, 2, 3	+25°C	-	100	ns
Transition Time	TTHL TTLH	VDD = 10V	1, 2, 3	+25°C	-	100	ns
		VDD = 15V	1, 2, 3	+25°C	-	80	ns
Maximum Clock Input Frequency	FCL	VDD = 10V	1, 2, 3	+25°C	4	-	MHz
		VDD = 15V	1, 2, 3	+25°C	5.5	-	MHz
Minimum Data Setup Time Note 4	TS	VDD = 5V	1, 2, 3	+25°C	-	340	ns
		VDD = 10V	1, 2, 3	+25°C	-	140	ns
		VDD = 15V	1, 2, 3	+25°C	-	100	ns
Clock Rise And Fall Time Note 5	TRCL TFCL	VDD = 5V	1, 2, 3	+25°C	-	15	μs
		VDD = 10V	1, 2, 3	+25°C	-	15	μs
		VDD = 15V	1, 2, 3	+25°C	-	15	μs
Minimum Clock Pulse Width	TW	VDD = 5V	1, 2, 3	+25°C	-	180	ns
		VDD = 10V	1, 2, 3	+25°C	-	90	ns
		VDD = 15V	1, 2, 3	+25°C	-	60	ns
Minimum Carry In Setup Time Note 6	TS	VDD = 5V	1, 2, 3	+25°C	-	200	ns
		VDD = 10V	1, 2, 3	+25°C	-	70	ns
		VDD = 15V	1, 2, 3	+25°C	-	60	ns
Minimum Carry Input Hold Time Note 6	TH	VDD = 5V	1, 2, 3	+25°C	-	50	ns
		VDD = 10V	1, 2, 3	+25°C	-	30	ns
		VDD = 15V	1, 2, 3	+25°C	-	25	ns
Minimum Preset Enable Removal Time Note 4	TREM	VDD = 5V	1, 2, 3	+25°C	-	200	ns
		VDD = 10V	1, 2, 3	+25°C	-	110	ns
		VDD = 15V	1, 2, 3	+25°C	-	80	ns

## Specifications CD4029BMS

**TABLE 3. ELECTRICAL PERFORMANCE CHARACTERISTICS (Continued)**

PARAMETER	SYMBOL	CONDITIONS	NOTES	TEMPERATURE	LIMITS		UNITS
					MIN	MAX	
Minimum Preset Enable Pulse Width	TW	VDD = 5V	1, 2, 3	+25°C	-	130	ns
		VDD = 10V	1, 2, 3	+25°C	-	70	ns
		VDD = 15V	1, 2, 3	+25°C	-	50	ns
Input Capacitance	CIN	Any Input	1, 2	+25°C	-	7.5	pF

**NOTES:**

1. All voltages referenced to device GND.
2. The parameters listed on Table 3 are controlled via design or process and are not directly tested. These parameters are characterized on initial design release and upon design changes which would affect these characteristics.
3. CL = 50pF, RL = 200K, Input TR, TF < 20ns.
4. From Up/Down, Binary/Decode, Carry In, or Preset Enable Control Inputs to Clock Edge.
5. If more than one unit is cascaded in the parallel clocked application, tr CL should be made ≤ the sum of the fixed propagation delay at 15pF and the transition time of the carry output driving stage for the estimated capacitive load. This measurement was made with a decoupling capacitor (>1μF) between VDD and VSS.
6. From Carry In to Clock Edge.

**TABLE 4. POST IRRADIATION ELECTRICAL PERFORMANCE CHARACTERISTICS**

PARAMETER	SYMBOL	CONDITIONS	NOTES	TEMPERATURE	LIMITS		UNITS
					MIN	MAX	
Supply Current	IDD	VDD = 20V, VIN = VDD or GND	1, 4	+25°C	-	25	μA
N Threshold Voltage	VNTH	VDD = 10V, ISS = -10μA	1, 4	+25°C	-2.8	-0.2	V
N Threshold Voltage Delta	ΔVTN	VDD = 10V, ISS = -10μA	1, 4	+25°C	-	±1	V
P Threshold Voltage	VTP	VSS = 0V, IDD = 10μA	1, 4	+25°C	0.2	2.8	V
P Threshold Voltage Delta	ΔVTP	VSS = 0V, IDD = 10μA	1, 4	+25°C	-	±1	V
Functional	F	VDD = 18V, VIN = VDD or GND	1	+25°C	VOH > VDD/2	VOL < VDD/2	V
		VDD = 3V, VIN = VDD or GND					
Propagation Delay Time	T <sub>PHL</sub>	VDD = 5V	1, 2, 3, 4	+25°C	-	1.35 x +25°C Limit	ns
	T <sub>PLH</sub>						

- NOTES:**
1. All voltages referenced to device GND.
  2. CL = 50pF, RL = 200K, Input TR, TF < 20ns
  3. See Table 2 for +25°C limit.
  4. Read and Record

**TABLE 5. BURN-IN AND LIFE TEST DELTA PARAMETERS +25°C**

PARAMETER	SYMBOL	DELTA LIMIT
Supply Current - MSI-2	IDD	± 1.0μA
Output Current (Sink)	IOL5	± 20% x Pre-Test Reading
Output Current (Source)	IOH5A	± 20% x Pre-Test Reading

## Specifications CD4029BMS

**TABLE 6. APPLICABLE SUBGROUPS**

CONFORMANCE GROUP		MIL-STD-883 METHOD	GROUP A SUBGROUPS	READ AND RECORD
Initial Test (Pre Burn-In)		100% 5004	1, 7, 9	IDD, IOL5, IOH5A
Interim Test 1 (Post Burn-In)		100% 5004	1, 7, 9	IDD, IOL5, IOH5A
Interim Test 2 (Post Burn-In)		100% 5004	1, 7, 9	IDD, IOL5, IOH5A
PDA (Note 1)		100% 5004	1, 7, 9, Deltas	
Interim Test 3 (Post Burn-In)		100% 5004	1, 7, 9	IDD, IOL5, IOH5A
PDA (Note 1)		100% 5004	1, 7, 9, Deltas	
Final Test		100% 5004	2, 3, 8A, 8B, 10, 11	
Group A		Sample 5005	1, 2, 3, 7, 8A, 8B, 9, 10, 11	
Group B	Subgroup B-5	Sample 5005	1, 2, 3, 7, 8A, 8B, 9, 10, 11, Deltas	Subgroups 1, 2, 3, 9, 10, 11
	Subgroup B-6	Sample 5005	1, 7, 9	
Group D		Sample 5005	1, 2, 3, 8A, 8B, 9	Subgroups 1, 2 3

NOTE: 1. 5% Parametric, 3% Functional; Cumulative for Static 1 and 2.

**TABLE 7. TOTAL DOSE IRRADIATION**

CONFORMANCE GROUPS	MIL-STD-883 METHOD	TEST		READ AND RECORD	
		PRE-IRRAD	POST-IRRAD	PRE-IRRAD	POST-IRRAD
Group E Subgroup 2	5005	1, 7, 9	Table 4	1, 9	Table 4

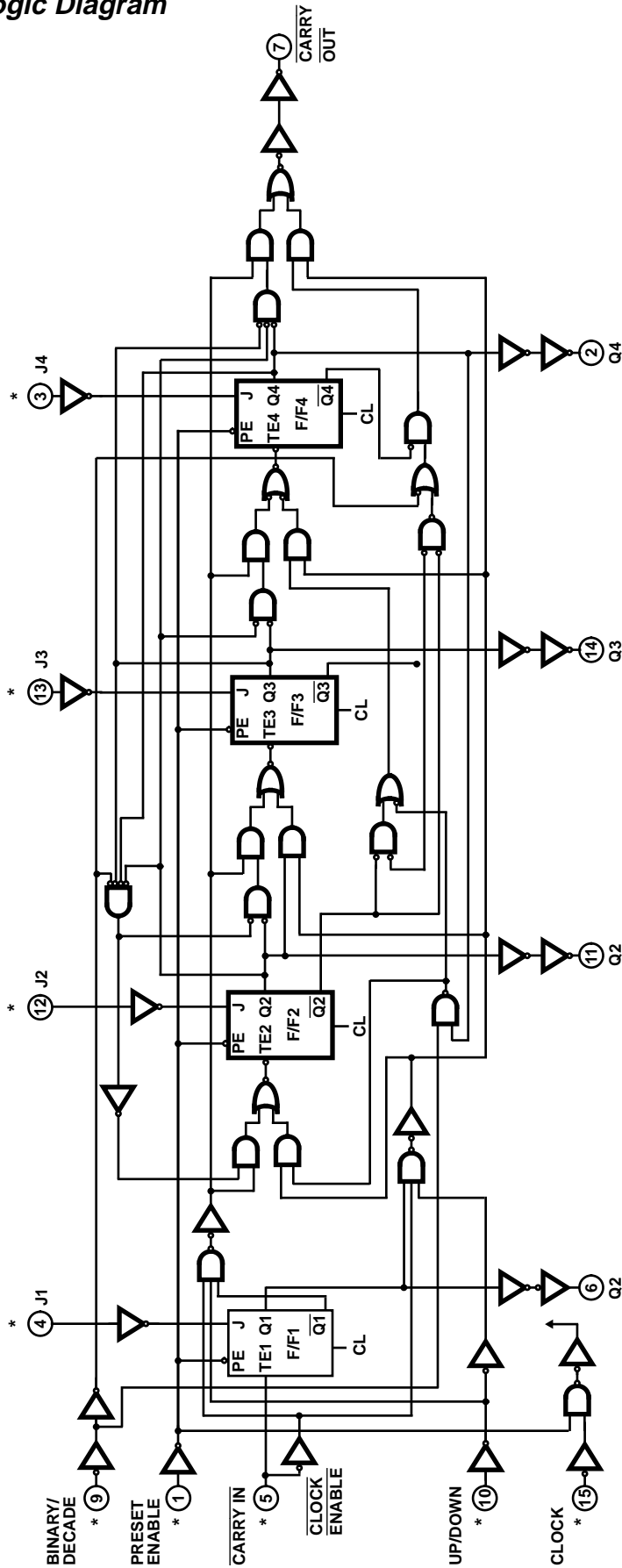
**TABLE 8. BURN-IN AND IRRADIATION TEST CONNECTIONS**

FUNCTION	OPEN	GROUND	VDD	9V ± -0.5V	OSCILLATOR	
					50kHz	25kHz
Static Burn-In 1 Note 1	2, 6, 7, 11, 14	1, 3 - 5, 8 - 10, 12, 13, 15	16			
Static Burn-In 2 Note 1	2, 6, 7, 11, 14	8	1, 3 - 5, 9, 10, 12, 13, 15, 16			
Dynamic Burn-In Note 1	-	1, 3 - 5, 8, 12, 13	9, 10, 16	2, 6, 7, 11, 14	15	-
Irradiation Note 2	2, 6, 7, 11, 14	8	1, 3 - 5, 9, 10, 12, 13, 15, 16			

NOTE:

- Each pin except VDD and GND will have a series resistor of  $10K \pm 5\%$ ,  $VDD = 18V \pm 0.5V$
- Each pin except VDD and GND will have a series resistor of  $47K \pm 5\%$ ; Group E, Subgroup 2, sample size is 4 dice/wafer, 0 failures,  $VDD = 10V \pm 0.5V$

Logic Diagram



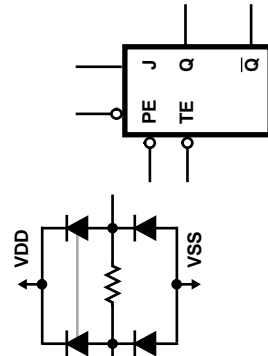
FUNCTION TABLE

CONTROL INPUT	LOGIC LEVEL	ACTION
BIN/DEC (B/D)	1	Binary Count
BIN/DEC (B/D)	0	Decade Count
UP/DOWN (U/D)	1	Up Count
UP/DOWN (U/D)	0	Down Count
Preset Enable (PE)	1	Jam In
Preset Enable (PE)	0	No Jam
$\overline{\text{CARRY IN (CI)}}$ (CLOCK ENABLE)	1	No Counter Advance at POS Clock Transition
$\overline{\text{CARRY IN (CI)}}$ (CLOCK ENABLE)	0	Advance Counter at POS Clock Transition

TRUTH TABLE

CLOCK	TE	PE	J	Q	$\overline{Q}$
X	X	0	0	0	1
$\overline{\text{Clock}}$	0	1	X	$\overline{Q}$	Q
X	X	0	1	1	0
$\overline{\text{Clock}}$	1	1	X	Q	$\overline{Q}$
$\overline{\text{Clock}}$	X	1	X	Q	Q

X = Don't Care



\*ALL INPUTS ARE PROTECTED BY CMOS PROTECTION NETWORK

FIGURE 1.

Typical Performance Characteristics

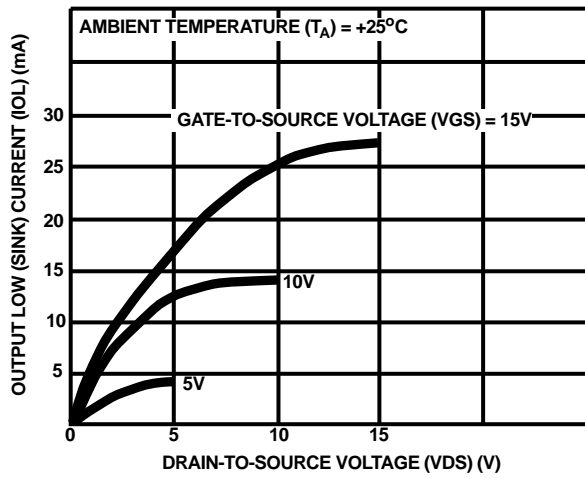


FIGURE 2. TYPICAL OUTPUT LOW (SINK) CURRENT CHARACTERISTICS

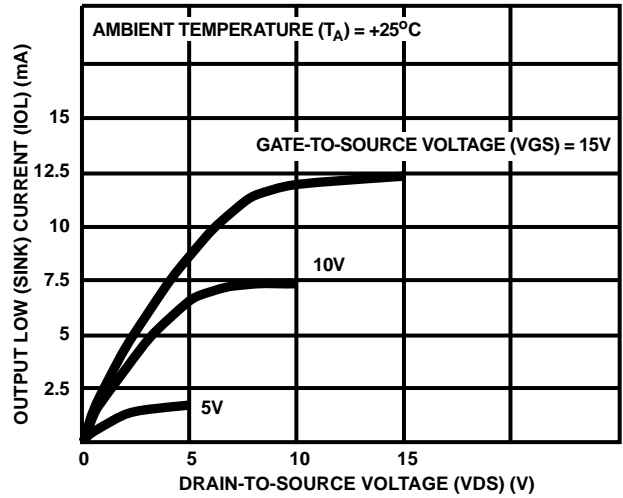


FIGURE 3. MINIMUM OUTPUT LOW (SINK) CURRENT CHARACTERISTICS

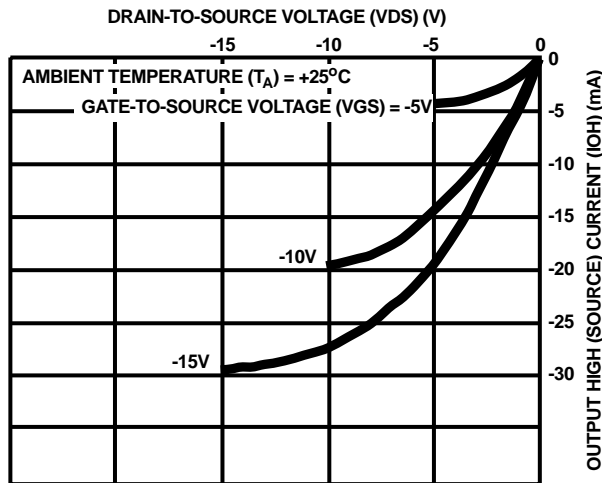


FIGURE 4. TYPICAL OUTPUT HIGH (SOURCE) CURRENT CHARACTERISTICS

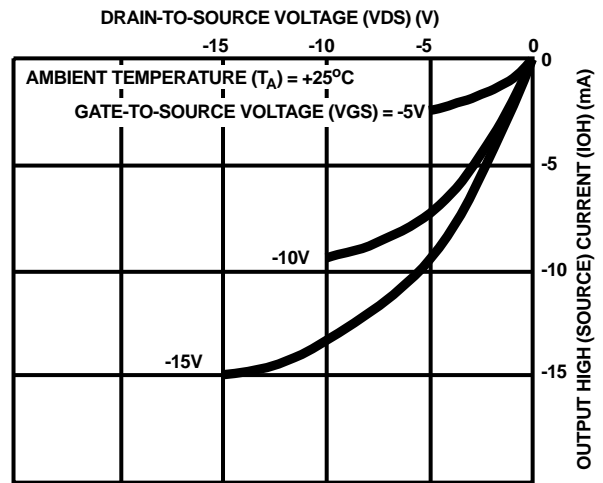


FIGURE 5. MINIMUM OUTPUT HIGH (SOURCE) CURRENT CHARACTERISTICS

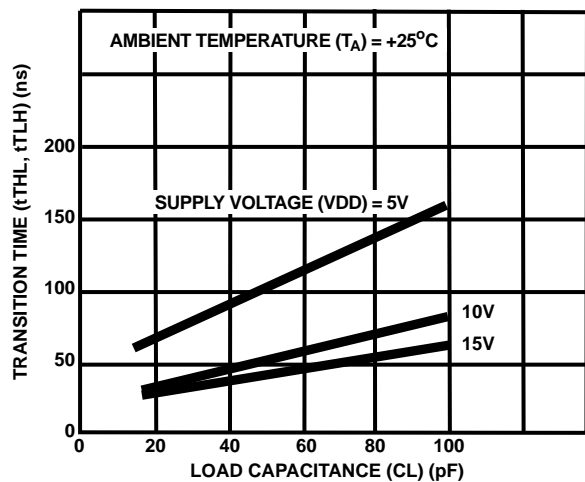


FIGURE 6. TYPICAL TRANSITION TIME AS A FUNCTION OF LOAD CAPACITANCE

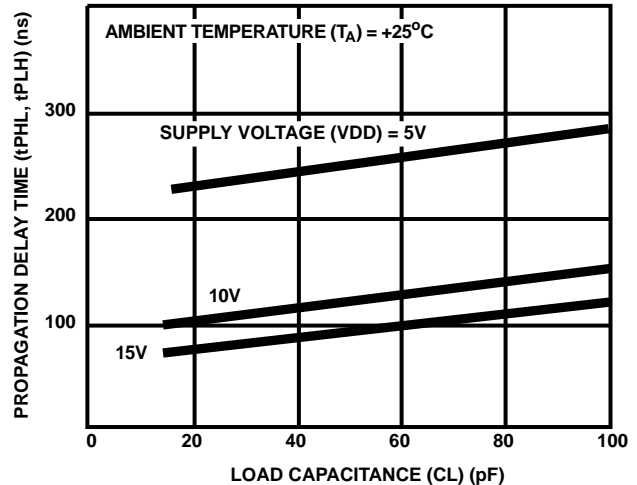


FIGURE 7. TYPICAL PROPAGATION DELAY TIME AS A FUNCTION OF LOAD CAPACITANCE (Q OUTPUT)



Typical Performance Characteristics (Continued)

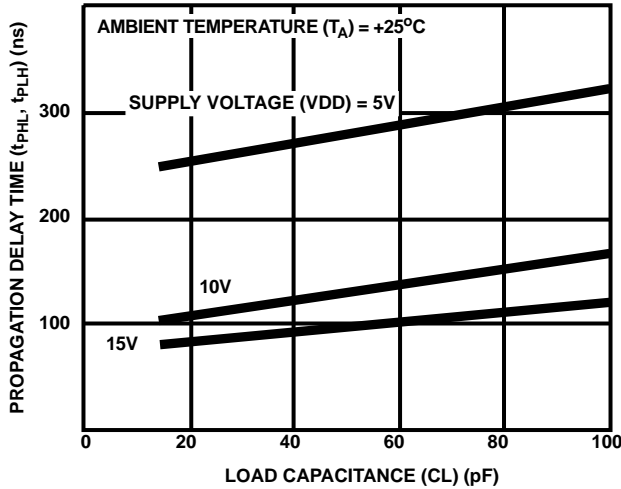


FIGURE 8. TYPICAL PROPAGATION DELAY TIME AS A FUNCTION OF LOAD CAPACITANCE (CARRY OUTPUT)

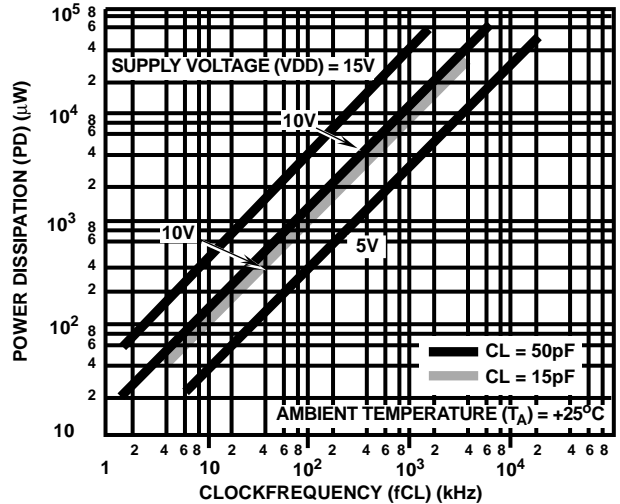
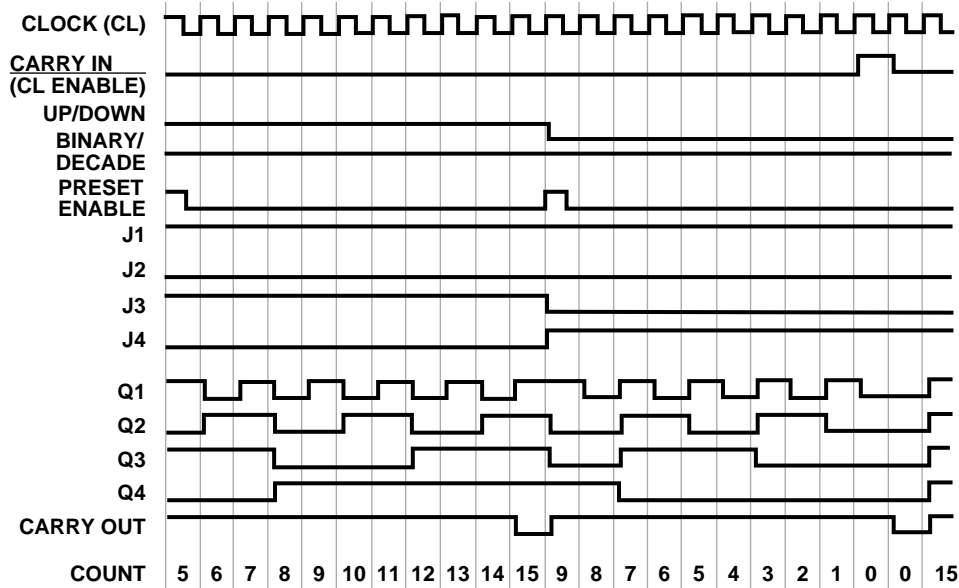


FIGURE 9. TYPICAL POWER DISSIPATION AS A FUNCTION OF FREQUENCY

Timing Diagrams



The CD4029BMS CLOCK and UP/DOWN inputs are used directly in most applications. In applications where CLOCK UP and CLOCK DOWN inputs are provided, conversion to the CD4029BMS CLOCK and UP/DOWN inputs can easily be realized by use of the circuit in Figure 11.

CD4029BMS changes count on positive transitions of CLOCK UP or CLOCK DOWN inputs. For the gate configuration in Figure 12, when counting up the CLOCK DOWN input must be maintained high and conversely when counting down the CLOCK UP input must be maintained high.

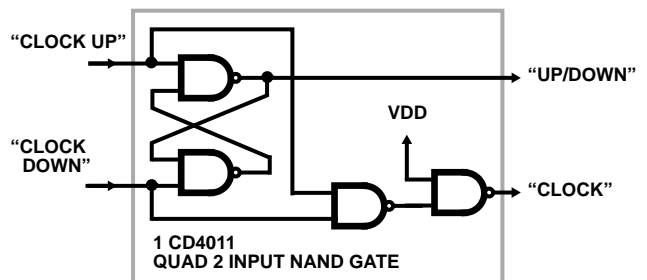


FIGURE 11. CONVERSION OF CLOCK UP, CLOCK DOWN INPUT SIGNALS TO CLOCK AND UP/DOWN INPUT SIGNALS

# CD4029BMS

## Timing Diagrams (Continued)

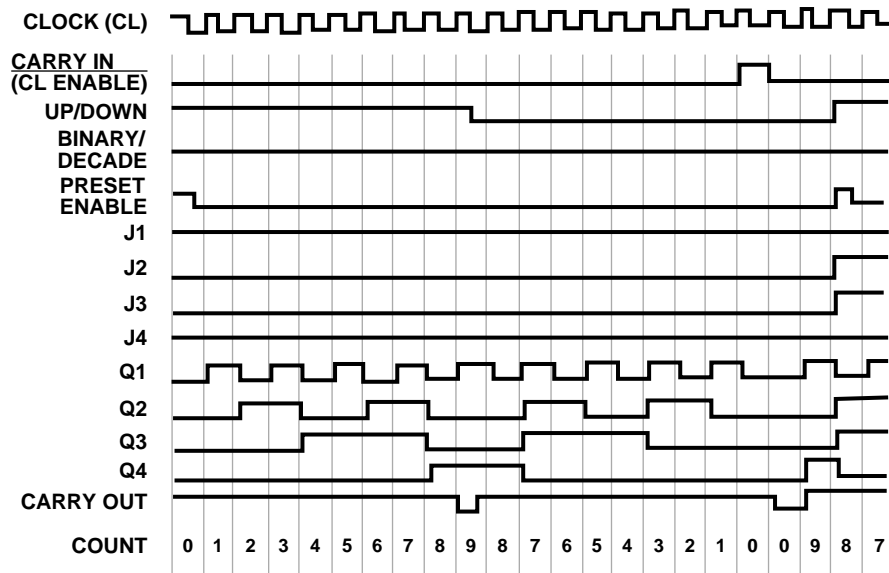
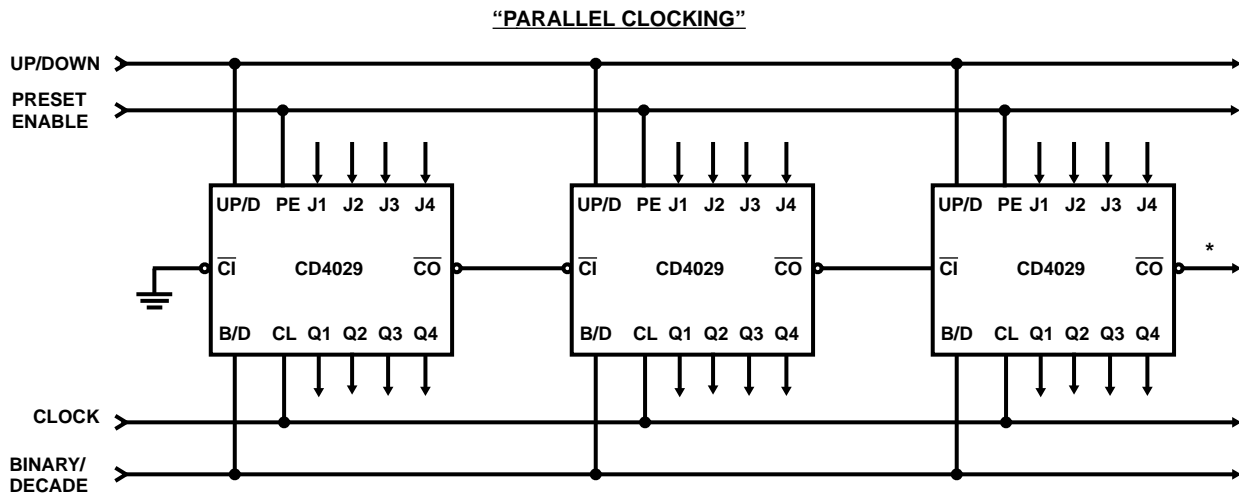


FIGURE 12. TIMING DIAGRAM-DECADE MODE

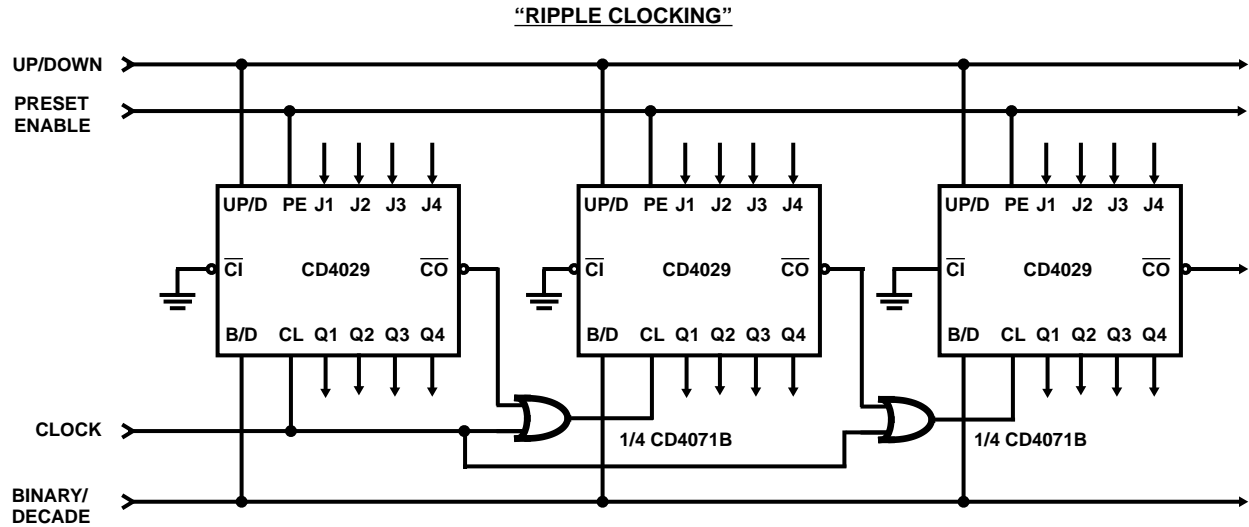


\*CARRY OUT LINES AT THE 2ND, 3RD, ETC, STAGES MAY HAVE A NEGATIVE-GOING GLITCH PULSE RESULTING FROM DIFFERENTIAL DELAYS OF DIFFERENT CD4029BMS IC'S. THESE NEGATIVE GOING GLITCHES DO NOT AFFECT PROPER CD4029BMS OPERATION. HOWEVER, IF THE CARRY OUT SIGNALS ARE USED TO TRIGGER OTHER EDGE-SENSITIVE LOGIC DEVICES, SUCH AS FF'S OR COUNTERS, THE CARRY OUT SIGNALS SHOULD BE GATED WITH THE CLOCK SIGNAL USING A 2-INPUT OR GATE SUCH AS CD4071BMS.

FIGURE 13. CASCADING COUNTER PACKAGES

# CD4029BMS

## Timing Diagrams (Continued)

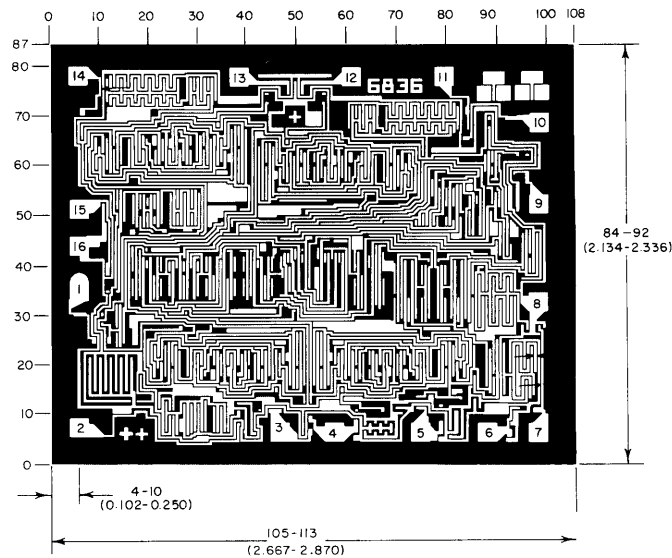


### RIPPLE CLOCKING MODE:

THE UP/DOWN CONTROL CAN BE CHANGED AT ANY COUNT. THE ONLY RESTRICTION ON CHANGING THE UP/DOWN CONTROL IS THAT THE CLOCK INPUT TO THE FIRST COUNTING STAGE MUST BE HIGH. FOR CASCADING COUNTERS OPERATING IN A FIXED UP-COUNT OR DOWN-COUNT MODE, THE OR GATES ARE NOT REQUIRED BETWEEN STAGES, AND  $\overline{CO}$  IS CONNECTED DIRECTLY TO THE CL INPUT OF THE NEXT STAGE WITH  $\overline{CI}$  GROUNDED.

FIGURE 13. CASCADING COUNTER PACKAGES (Continued)

## Chip Dimensions and Pad Layout



Dimensions in parentheses are in millimeters and are derived from the basic inch dimensions as indicated. Grid graduations are in mils ( $10^{-3}$  inch)

**METALLIZATION:** Thickness:  $11\text{k}\text{\AA} - 14\text{k}\text{\AA}$ , AL.

**PASSIVATION:**  $10.4\text{k}\text{\AA} - 15.6\text{k}\text{\AA}$ , Silane

**BOND PADS:** 0.004 inches X 0.004 inches MIN

**DIE THICKNESS:** 0.0198 inches - 0.0218 inches