

# NPN RF POWER TRANSISTOR

**DESCRIPTION:**

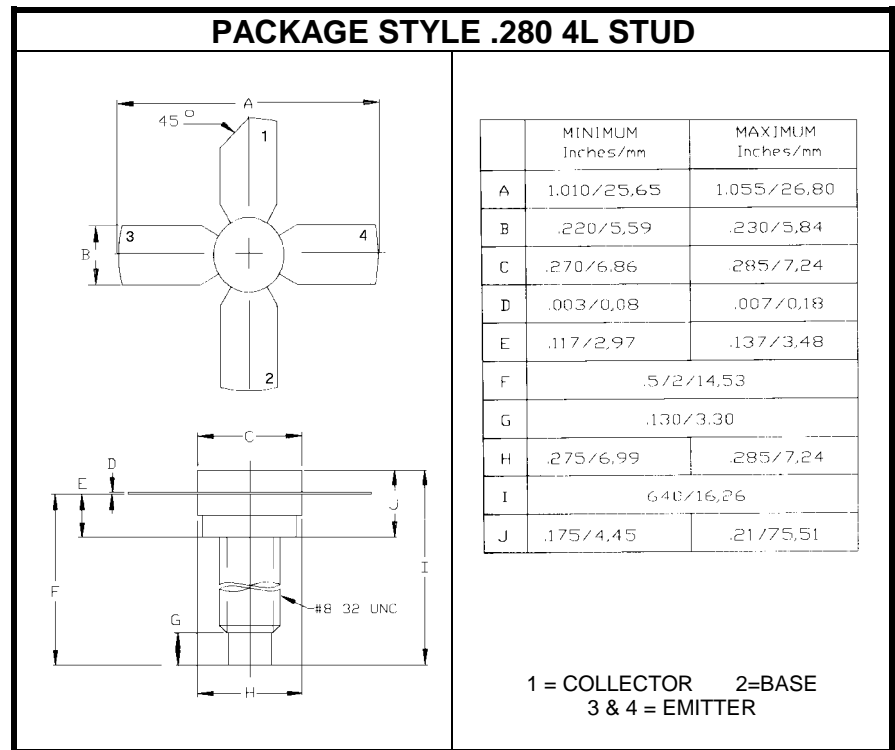
The **ASI BLX94A** is a Common Emitter Device Designed for Class A, B and C Amplifier Applications from 50 to 500 MHz.

**FEATURES INCLUDE:**

- High Gain
- Gold Metallization
- Emitter Ballasting

**MAXIMUM RATINGS**

$I_C$	2.5 mA
$V_{CBO}$	65 V
$P_{DISS}$	60 W @ $T_C = 25^\circ\text{C}$
$T_J$	$-65^\circ\text{C}$ to $+200^\circ\text{C}$
$T_{STG}$	$-65^\circ\text{C}$ to $+150^\circ\text{C}$
$\theta_{JC}$	4.0 $^\circ\text{C/W}$


**CHARACTERISTICS**  $T_C = 25^\circ\text{C}$ 

SYMBOL	TEST CONDITIONS	MINIMUM	TYPICAL	MAXIMUM	UNITS
$V_{CES}$	$I_C = 25\text{ mA}$	65			V
$V_{CEO}$	$I_C = 100\text{ mA}$	30			V
$V_{BEO}$	$I_E = 10\text{ mA}$	4.0			V
$I_{CES}$	$V_{CE} = 30\text{ V}$			10	mA
$h_{FE}$	$V_{CE} = 5.0\text{ V}$ $I_C = 1.5\text{ A}$	15	50		---
$C_{OB}$	$V_{CB} = 28\text{ V}$ $f = 1.0\text{ MHz}$		33		pF
$P_G$	$V_{CE} = 28\text{ V}$ $P_{OUT} = 25\text{ W}$ $f = 470\text{ MHz}$	6.5			dB
$\eta_C$		55			%