

## 2N5018 SERIES

### SINGLE P-CHANNEL JFET SWITCH

#### FEATURES

DIRECT REPLACEMENT FOR SILICONIX 2N5018

ZERO OFFSET VOLTAGE

LOW ON RESISTANCE 75Ω

#### ABSOLUTE MAXIMUM RATINGS<sup>1</sup>

@ 25 °C (unless otherwise stated)

#### Maximum Temperatures

Storage Temperature -55 to 200°C

Junction Operating Temperature -55 to 200°C

#### Maximum Power Dissipation

Continuous Power Dissipation 500mW

#### Maximum Currents

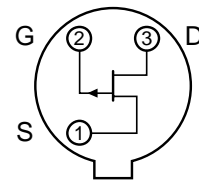
Gate Current -50mA

#### Maximum Voltages

Gate to Drain 30V

Gate to Source 30V

TO-18  
BOTTOM VIEW



#### STATIC ELECTRICAL CHARACTERISTICS @25 °C (unless otherwise stated)

SYM.	CHARACTERISTIC	TYP	2N5018		2N5019		UNITS	CONDITIONS
			MIN	MAX	MIN	MAX		
$BV_{GSS}$	Gate to Source Breakdown Voltage		30		30		V	$I_G = 1\mu A, V_{DS} = 0V$
$V_{GS(off)}$	Gate to Source Cutoff Voltage			10		5		$V_{DS} = -15V, I_D = -1\mu A$
$V_{DS(on)}$	Drain to Source On Voltage			-0.5		-0.5		$V_{GS} = 0V, I_D = -6mA$ $V_{GS} = 0V, I_D = -3mA$
$I_{DSS}$	Drain to Source Saturation Current <sup>2</sup>		-10		-5		mA	$V_{DS} = -20V, V_{GS} = 0V$
$I_{GSS}$	Gate Leakage Current			2		2		nA
$I_{D(off)}$	Drain Cutoff Current			-10		-10	μA	$V_{DS} = -15V, V_{GS} = 12V$
$I_{DGO}$	Drain Reverse Current			-2		-2		nA
$r_{DS(on)}$	Drain to Source On Resistance			75		150	Ω	$I_D = -1mA, V_{GS} = 0V$

**DYNAMIC ELECTRICAL CHARACTERISTICS @25 °C (unless otherwise stated)**

SYM.	CHARACTERISTIC	TYP	2N5018		2N5019		UNITS	CONDITIONS
			MIN	MAX	MIN	MAX		
$r_{ds(on)}$	Drain to Source On Resistance			75		150	$\Omega$	$I_D = 0A, V_{GS} = 0V$ $f = 1kHz$
$C_{iss}$	Input Capacitance			45		45	pF	$V_{DS} = -15V, V_{GS} = 0V$ $f = 1MHz$
$C_{rss}$	Reverse Transfer Capacitance			10				$V_{DS} = 0V, V_{GS} = 12V$ $f = 1MHz$
						10		$V_{DS} = 0V, V_{GS} = 7V$ $f = 1MHz$

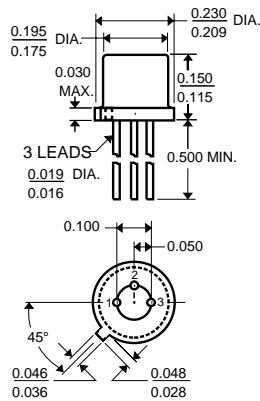
**SWITCHING CHARACTERISTICS (max)**

SYM.	CHARACTERISTIC	2N5018	2N5019	UNITS
$t_{d(on)}$	Turn On Time	15	15	ns
$t_r$		20	75	
$t_{d(off)}$	Turn Off Time	15	25	
$t_f$		50	100	

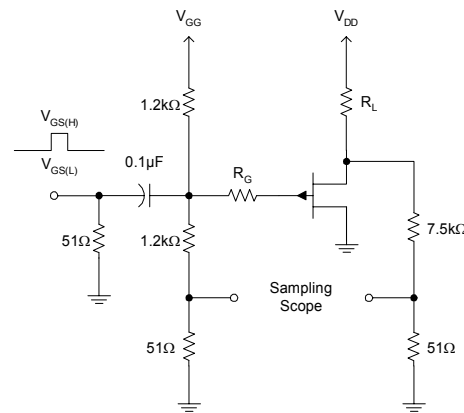
**SWITCHING CIRCUIT CHARACTERISTICS**

SYM.	2N5018	2N5019
$V_{DD}$	-6V	-6V
$V_{GG}$	12V	8V
$R_L$	910 $\Omega$	1.8k $\Omega$
$R_G$	220 $\Omega$	390 $\Omega$
$I_{D(on)}$	-6mA	-3mA
$V_{GS(H)}$	0V	0V
$V_{GS(L)}$	12V	7V

**TO-18  
Three Lead**



**SWITCHING TEST CIRCUIT**



**NOTES**

1. Absolute maximum ratings are limiting values above which serviceability may be impaired.
2. Pulse test: PW  $\leq$  300 $\mu$ s, Duty Cycle  $\leq$  3%

Information furnished by Linear Integrated Systems is believed to be accurate and reliable. However, no responsibility is assumed for its use; nor for any infringement of patents or other rights of third parties which may result from its use. No license is granted by implication or otherwise under any patent or patent rights of Linear Integrated Systems.

This datasheet has been download from:

[www.datasheetcatalog.com](http://www.datasheetcatalog.com)

Datasheets for electronics components.