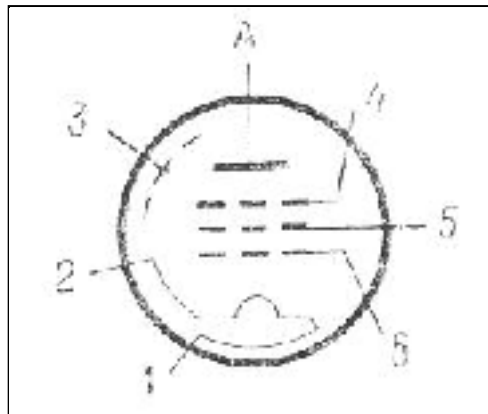
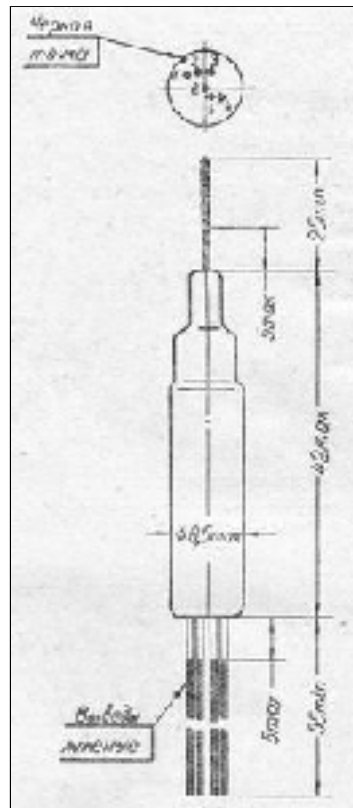


Russian Tubes LLC

[about company](#) | [tubes info](#) | [delivery](#) | [warranty](#) | [payment](#) | [sale](#) | [links](#) | [e-mail](#)**1Zh17B**

Name	1Zh17B
Type	penthode
Application	HF voltage amplification
Cathode type	oxide,direct heating
Envelope	glass,miniature
Mass,g	4
Filament voltage,V	1,2
Filament current,A	0,036-0,054
Anode voltage,V	60
Grid1 voltage,V	0
Grid2 voltage,V	40
Steepness,mA/V	1,0-2,0
Reverse grid current,uA	0,5
Microphnic noise,mV	50
Socket type	flexible





[about company](#) | [tubes info](#) | [delivery](#) | [warranty](#) | [payment](#) | [sale](#) | [links](#) | [e-mail](#)

© Copyright **Russian Tubes LLC**, 2002

Created by **VVS**