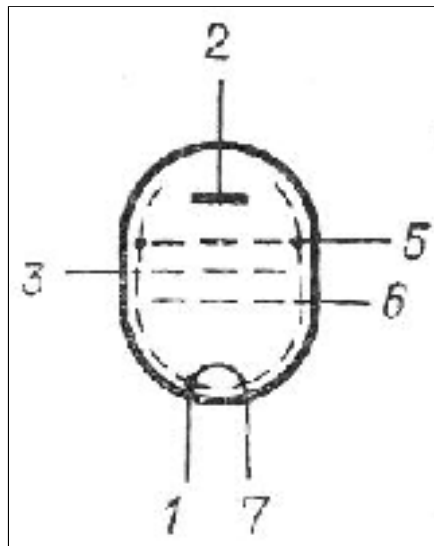
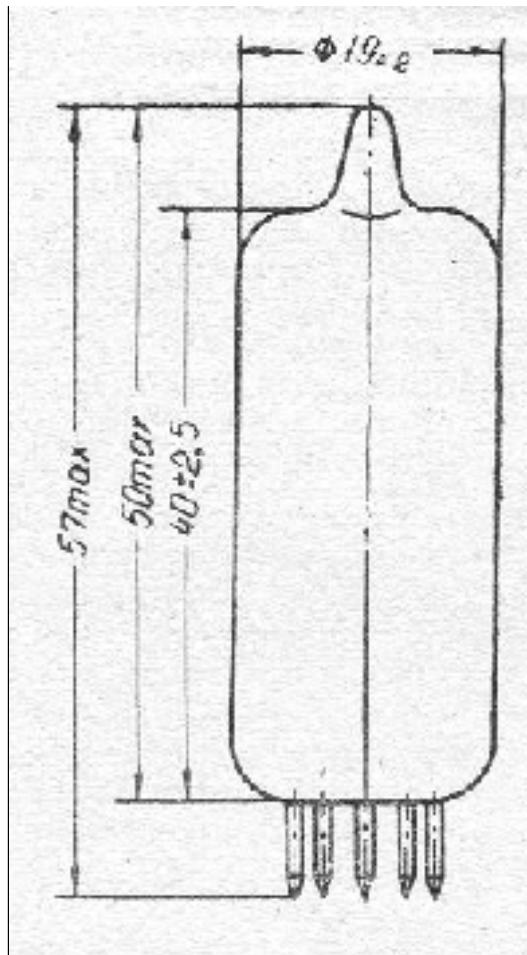


Russian Tubes LLC

[about company](#) | [tubes info](#) | [delivery](#) | [warranty](#) | [payment](#) | [sale](#) | [links](#) | [e-mail](#)**1K2P**

Name	1K2P
Type	penthode
Application	HF voltage amplification
Cathode type	oxide,direct heating
Envelope	glass,miniature
Mass,g	10,5
Filament voltage,V	1,2
Filament current,A	0,027-0,033
Anode voltage,V	60
Anode power,W	0,3W
Grid1 voltage,V	0
Grid2 voltage,V	45
Steepness,mA/V	0,32
Socket type	RSh4





[about company](#) | [tubes info](#) | [delivery](#) | [warranty](#) | [payment](#) | [sale](#) | [links](#) | [e-mail](#)

© Copyright **Russian Tubes LLC**. 2002

Created by **VVS**